

RPTAC-5



Product

HVAC Controller

Description

The Evolve HVAC Controller is an all-in-one design that controls the majority of HVAC systems. In conjunction with the TB-200, the HVAC Controller receives RF commands and controls the temperature in the room and enacts the system's setback logic. The HVAC Controller uses standard thermostat connections (C, R, W1, W2, Y1, Y2, G) and Emergency Heat mode is selectable directly from the TB-200. Other Thermostat features include system mode (Off, Auto, Heat, Cool), fan mode display and control (Auto, High, Med, Low), setup of HVAC type, fan type, changeover type for HP systems, F/C mode and sensor calibration and a fan cyclers feature. This device requires both 24VAC (R) and 24VAC (C) wires from the HVAC System for power.

Specifications

- SKU: RPTAC-5
- Supported Networks:
 - Z-Wave – Signal (Frequency) 908.42 MHz
- Power: 24 VAC, Wiring 18 AWG
- Dimensions: 2.75" H x 5.125" W x 1.125" D
- Weight: 0.27 lbs.

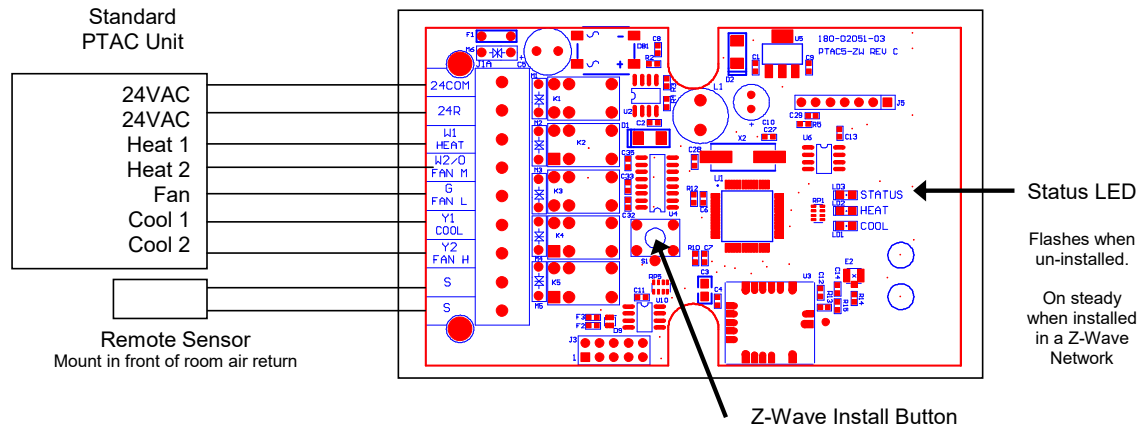
Wiring

Between the RPTAC-5 and the HVAC Unit

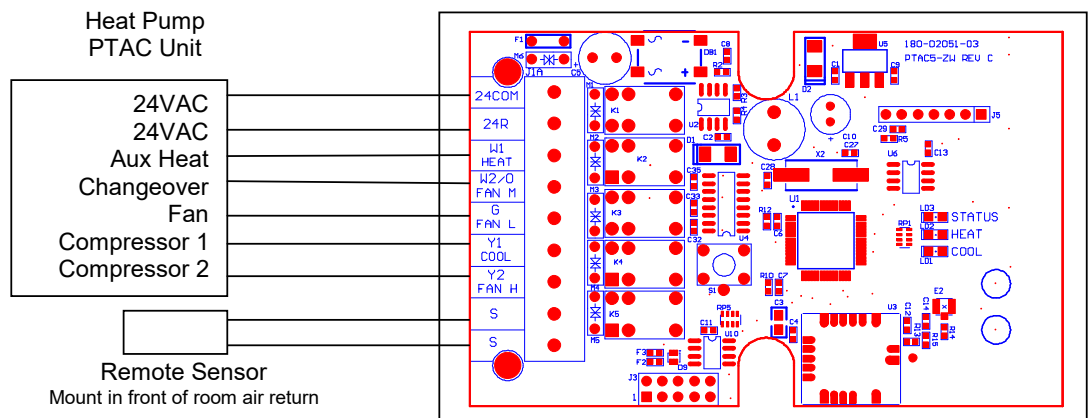
The device uses standard 24VAC thermostat connections: The use of each of these terminals varies by application. The most common applications are outlined below; for those not found on this list, please contact Evolve Technical Support at support@evolvecontrols.com for more detail.

Wiring Cont'd

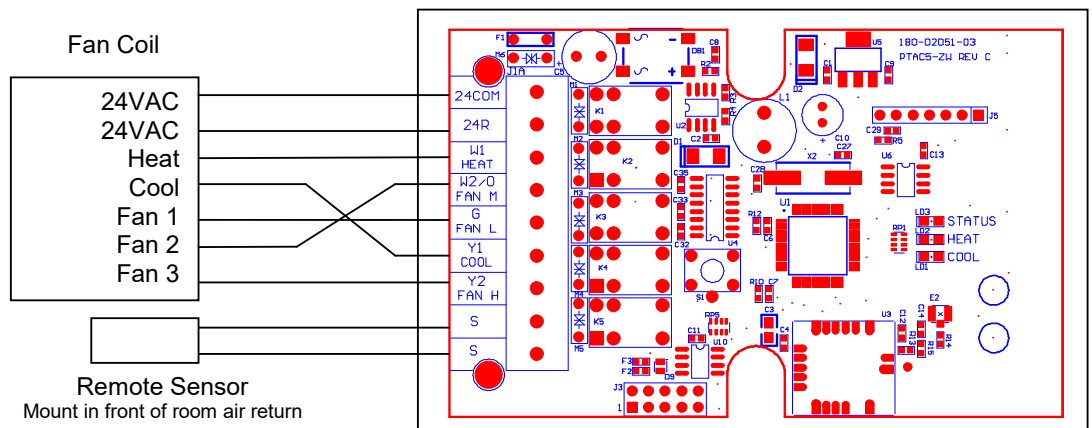
Standard HVAC System
2 Heat, 2 Cool, 1 Speed Fan



Heat Pump Unit
2 Heat plus Aux Heat, 2 Cool, 1 Speed Fan



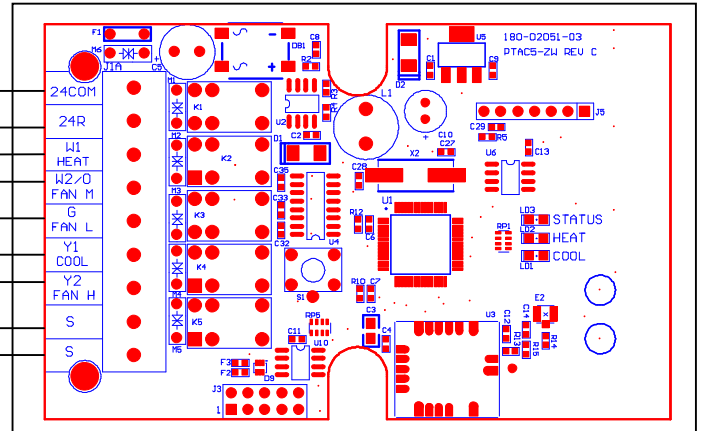
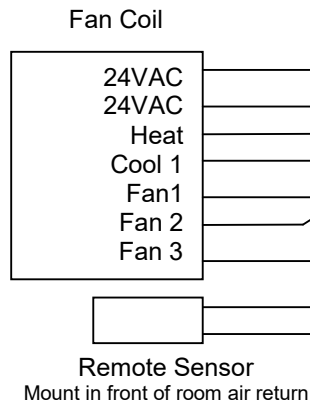
Fan Coil System
1 Heat, 1 Cool, 3 Speed Fan



Wiring Cont'd

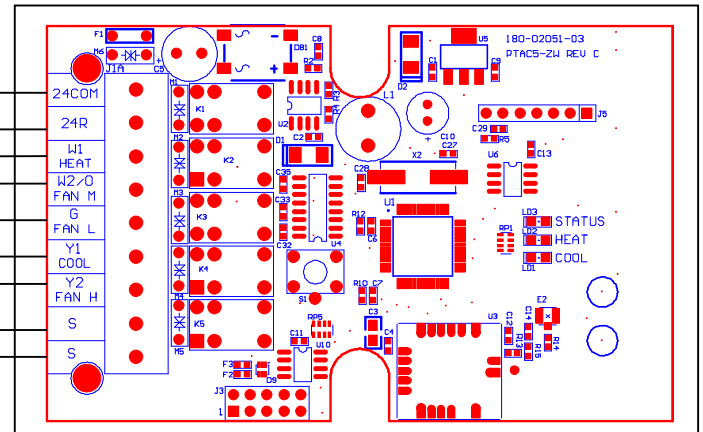
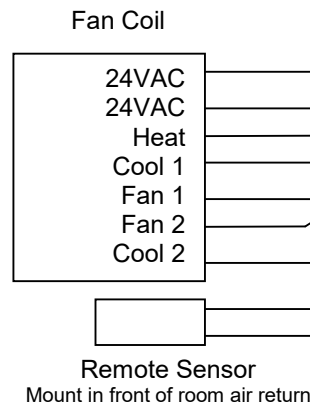
Fan Coil System (Type A)

1 Heat, 1 Cool, 3 Speed Fan



Fan Coil System (Type B)

1 Heat, 1 Cool, 2 Speed Fan



Heat Pump Unit (Type B)

1 Heat plus Aux Heat, 1 Cool, 2 Speed Fan

