

T-1500



Product

Wireless High Voltage Digital Thermostat

Description

The Evolve Wireless Digital Thermostat is designed to control the majority of HVAC systems with its all-in-one design including a 128 x 64 backlit graphical display and 6 button keypad with on screen labels. What makes this device different than the T-100-H is purely higher voltage. The Wireless Thermostat contains a robust interface and is designed for use with communicating systems where remote monitoring and/or remote control are desired. The Thermostat interface includes heating and cooling display, system mode, fan mode display and control and fan cyclers amongst other features. The device can be wall mounted or mounted on a single-gang junction box.

This Wireless Digital Thermostat is designed to work with other Evolve enabled devices. Evolve nodes of other types can be included in the network and will also act as repeaters to increase the range of the network.

Specifications

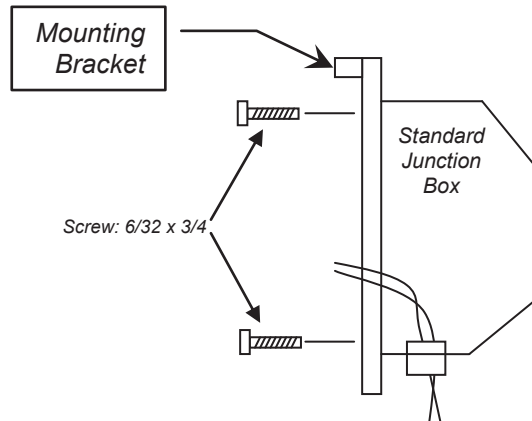
- SKU: T-1500
- Supported Networks:
 - Z-Wave – Signal (Frequency) 908.42 MHz
- Power: 110 VAC – 277 VAC, Wiring 18 AWG
- Dimensions: 4.5” H x 5.75” W x 1” D
- Weight: 0.51 lbs.
- Available in Glass or Matte finish
- Load rating: 2 Amps max heat/cool, 1/6 HP fan
- Relay Contact Rating:
 - 120 VAC, 10A
 - 240VAC, 10A
 - 277VAC, 8A
- Rated for pilot relay duty only

Wiring

The device uses standard thermostat relay connections: The use of each of these terminals varies by application. The most common applications are outlined below; for those not found on this list, please contact Evolve Technical Support at support@evolvecontrols.com for more detail.

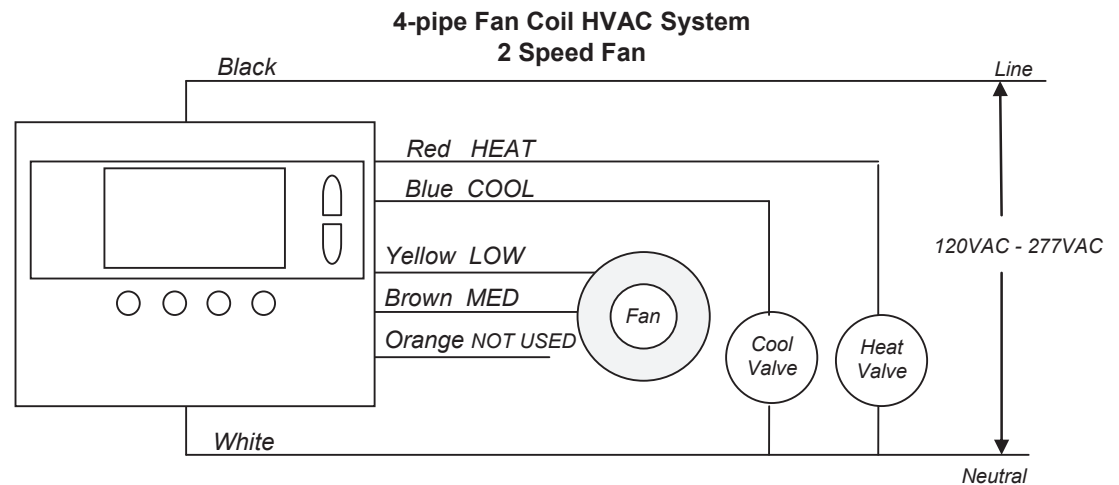
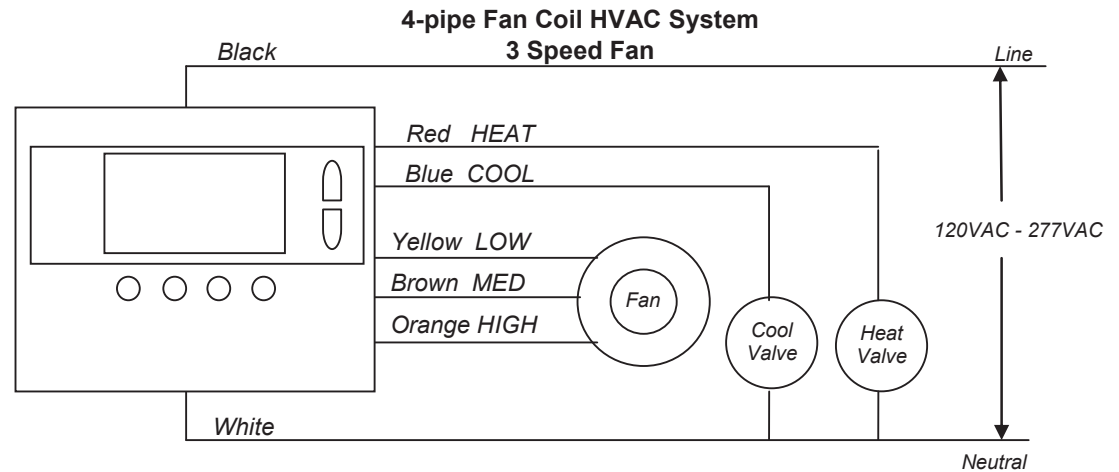
Wiring Cont'd

Install the mounting bracket to the junction box with either 2 (single gang) or 4 screws (double gang).



Fan Coil:

- Black = power
- White = Neutral
- Red = heating
- Brown = only used in a 3 speed system, this wire represents MEDIUM fan
- Blue = cooling
- Orange = only used in a 2 or 3 speed system, this wire represents HIGH fan
- Yellow = LOW fan. Note: in a 1 speed system, the wire is the default "only" fan terminal used

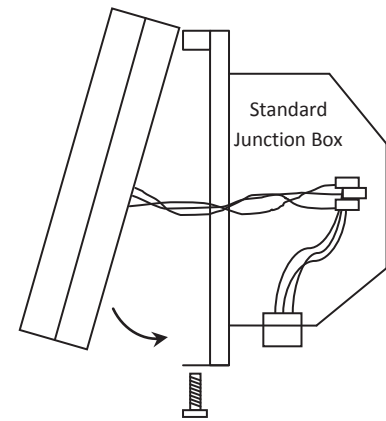


Wiring Cont'd

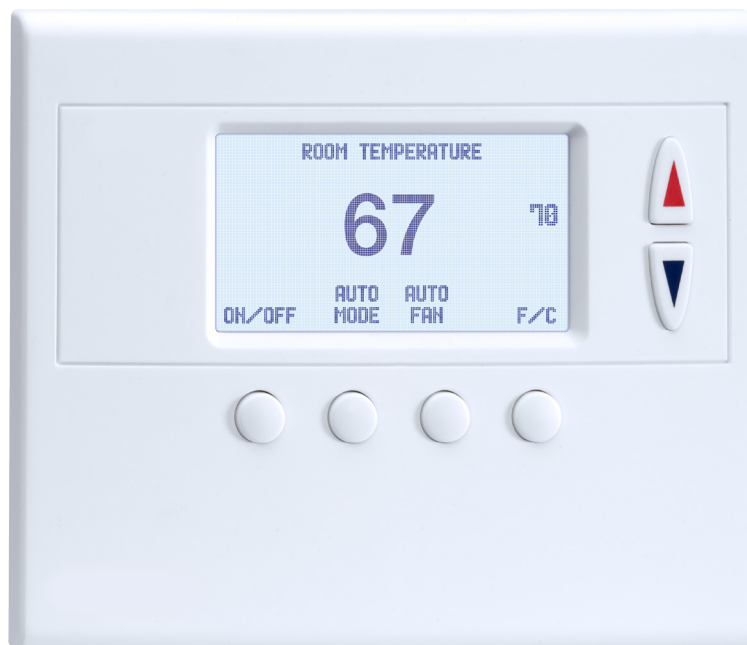
Connect the thermostat wires to the cable wires using appropriate sized wire nuts.

Push the wires into the junction box. Tilt the thermostat so that the top of the thermostat is resting on the mounting tabs of the mounting plate. Push the bottom of the thermostat towards the wall and secure in place with the self-tapping screws as shown to the right.

Turn power back on. LCD should display temperature and thermostat functions.



T-1500



Product

Wireless High Voltage Digital Thermostat

Description

The Evolve Wireless Digital Thermostat is designed to control the majority of HVAC systems with its all-in-one design including a 128 x 64 backlit graphical display and 6 button keypad with on screen labels. What makes this device different than the T-100-H is purely higher voltage. The Wireless Thermostat contains a robust interface and is designed for use with communicating systems where remote monitoring and/or remote control are desired. The Thermostat interface includes heating and cooling display, system mode, fan mode display and control and fan cyclers amongst other features. The device can be wall mounted or mounted on a single-gang junction box.

This Wireless Digital Thermostat is designed to work with other Evolve enabled devices. Evolve nodes of other types can be included in the network and will also act as repeaters to increase the range of the network.

Specifications

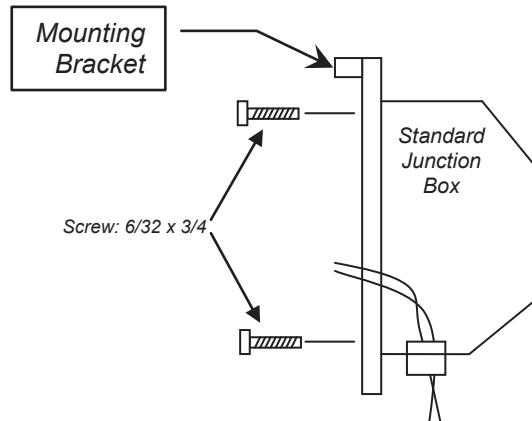
- SKU: T-1500
- Supported Networks:
 - Z-Wave – Signal (Frequency) 908.42 MHz
- Power: 110 VAC – 277 VAC, Wiring 18 AWG
- Dimensions: 4.5" H x 5.75" W x 1" D
- Weight: 0.51 lbs.
- Available in Glass or Matte finish
- Load rating: 2 Amps max heat/cool, 1/6 HP fan
- Relay Contact Rating:
 - 120 VAC, 10A
 - 240VAC, 10A
 - 277VAC, 8A
- Rated for pilot relay duty only

Wiring

The device uses standard thermostat relay connections: The use of each of these terminals varies by application. The most common applications are outlined below; for those not found on this list, please contact Evolve Technical Support at support@evolvecontrols.com for more detail.

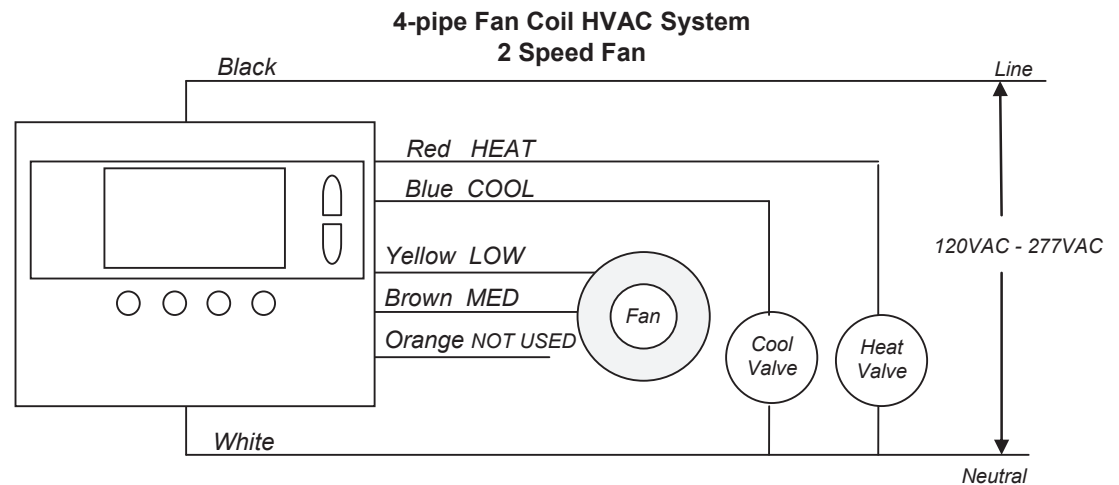
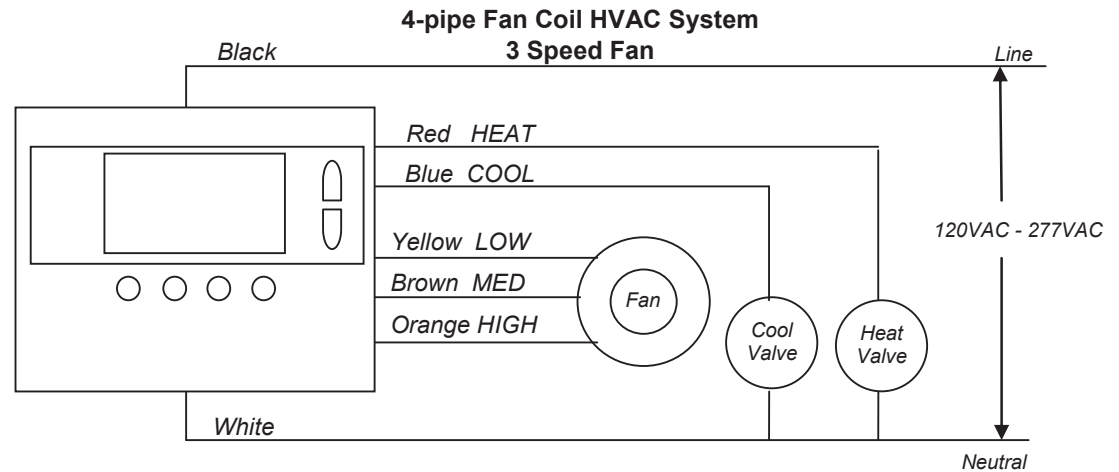
Wiring Cont'd

Install the mounting bracket to the junction box with either 2 (single gang) or 4 screws (double gang).



Fan Coil:

- Black = power
- White = Neutral
- Red = heating
- Brown = only used in a 3 speed system, this wire represents MEDIUM fan
- Blue = cooling
- Orange = only used in a 2 or 3 speed system, this wire represents HIGH fan
- Yellow = LOW fan. Note: in a 1 speed system, the wire is the default "only" fan terminal used



Wiring Cont'd

Connect the thermostat wires to the cable wires using appropriate sized wire nuts.

Push the wires into the junction box. Tilt the thermostat so that the top of the thermostat is resting on the mounting tabs of the mounting plate. Push the bottom of the thermostat towards the wall and secure in place with the self-tapping screws as shown to the right.

Turn power back on. LCD should display temperature and thermostat functions.

