

T-100-H



Product

Wireless Digital Thermostat

Description

The Evolve Wireless Digital Thermostat is designed to control the majority of HVAC systems with its all-in-one design including a 128 x 64 backlit graphical display and 6 button keypad with on screen labels. The Wireless Thermostat contains a robust interface and is designed for use with communicating systems where remote monitoring and/or remote control are desired. The Thermostat interface includes heating and cooling display, system mode, fan mode display and control and fan cyclers amongst other features. The device can be wall mounted on a single-gang junction box and requires both 24VAC (R) and 24VAC (C) wires from the HVAC System for power.

This Wireless Digital Thermostat is designed to work with other Evolve enabled devices. Evolve nodes of other types can be included in the network and will also act as repeaters to increase the range of the network.

Specifications

- SKU: T-100-H
- Supported Networks:
 - Z-Wave – Signal (Frequency) 908.42 MHz
- Power: 24 VAC, Wiring 18 AWG
- Dimensions: 4.5" H x 5.125" W x 1" D
- Weight: 0.51 lbs.
- Available in Glass or Matte finish

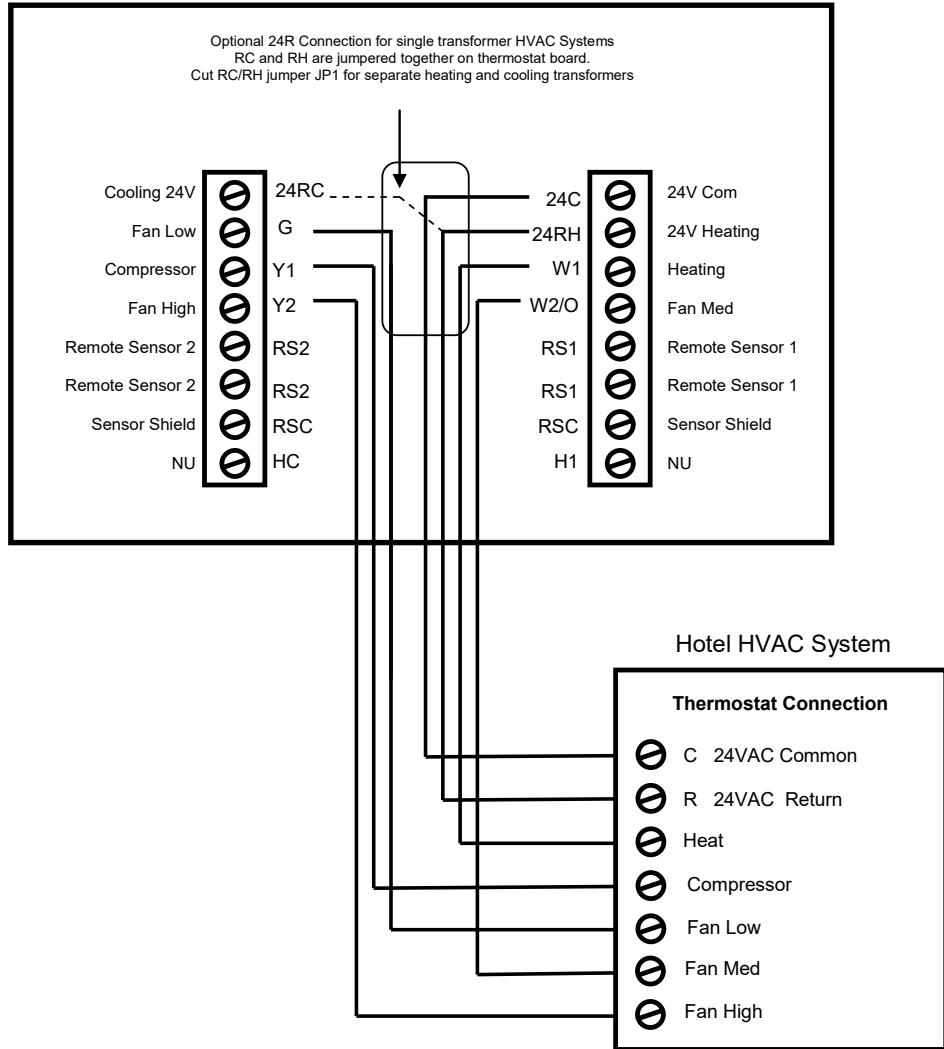
Wiring

The device uses standard thermostat connections: C, R, W1, W2, Y1, Y2, G. The use of each of these terminals vary by application. The most common applications are outlined below; for applications not found on this list, please contact Evolve Technical Support at support@evolvecontrols.com for more detail.

Wiring Cont'd

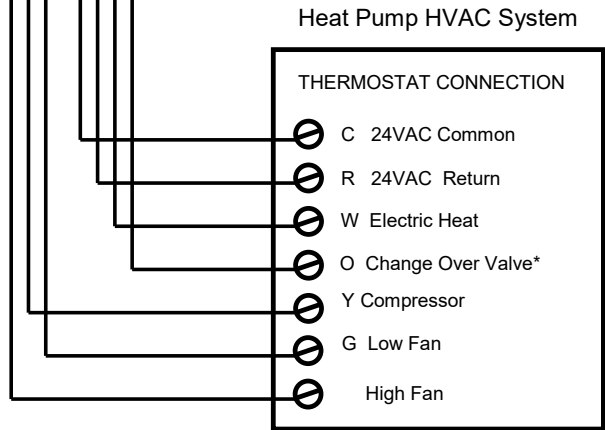
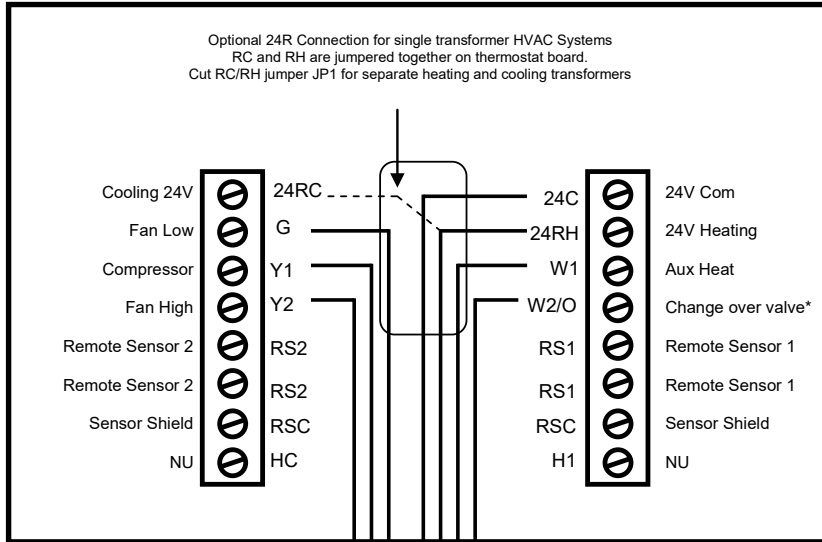
HVAC Type: Hotel 3 Speed	Voltage: 24VAC
HVAC System Wiring	Single Transformer Systems

* Heat Pump diagram on next page.



Wiring Cont'd

HVAC Type: Hotel Heat Pump	Voltage: 24VAC
HVAC System Wiring	Single Transformer Systems



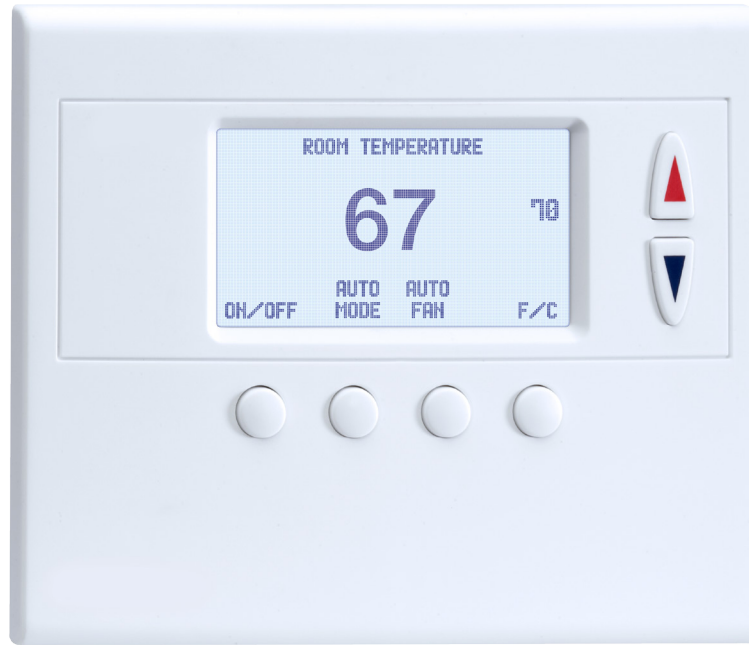
* Reversing Valve

Wiring Cont'd

System Type Selection in the Installer Setup Menu

System Type	Fan Coil A	Fan Coil B		Heat Pump A	Heat Pump B
Fan Speeds	3 speed	2 speed		1 speed	2 speed
Heat Stages	1	1		3	2
Cool Stages	1	2		2	1
Terminal	Output	Output		Output	Output
C	24VAC C	24VAC C		24VAC C	24VAC C
RH	24VAC R	24VAC R		24VAC R	24VAC R
RC	nu	nu		nu	nu
W1	Heat valve	Heat valve		Aux Elect Ht	Aux Elect Ht
W2/O	Fan 2	Fan 2		Changeover	Changeover
G	Fan 1	Fan 1		Fan 1	Fan 1
Y1	Cool Valve 1	Cool Valve 1		Comp stg 1	Comp stg 1
Y2	Fan 3	Cool stg 2		Comp stg 2	Fan 2

T-100-H



Product

Wireless Digital Thermostat

Description

The Evolve Wireless Digital Thermostat is designed to control the majority of HVAC systems with its all-in-one design including a 128 x 64 backlit graphical display and 6 button keypad with on screen labels. The Wireless Thermostat contains a robust interface and is designed for use with communicating systems where remote monitoring and/or remote control are desired. The Thermostat interface includes heating and cooling display, system mode, fan mode display and control and fan cyler amongst other features. The device can be wall mounted on a single-gang junction box and requires both 24VAC (R) and 24VAC (C) wires from the HVAC System for power.

This Wireless Digital Thermostat is designed to work with other Evolve enabled devices. Evolve nodes of other types can be included in the network and will also act as repeaters to increase the range of the network.

Specifications

- SKU: T-100-H
- Supported Networks:
 - Z-Wave – Signal (Frequency) 908.42 MHz
- Power: 24 VAC, Wiring 18 AWG
- Dimensions: 4.5" H x 5.125" W x 1" D
- Weight: 0.51 lbs.
- Available in Glass or Matte finish

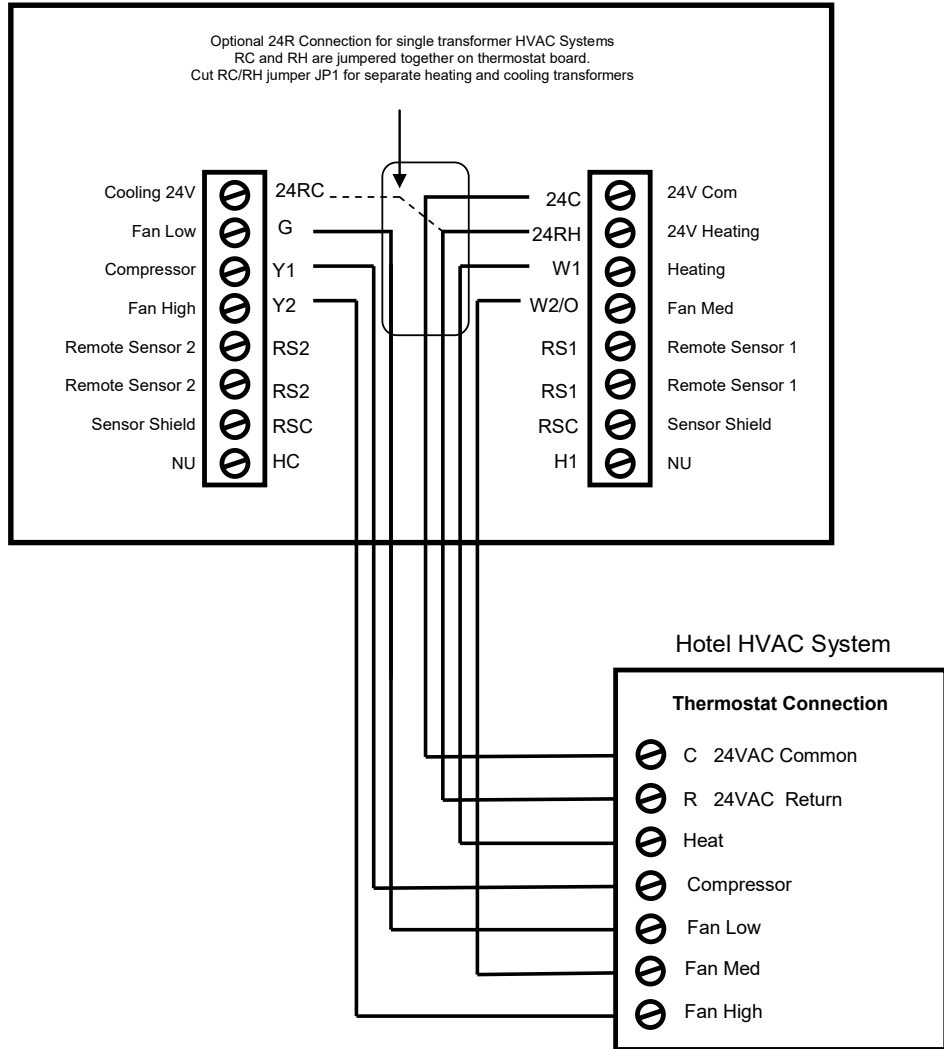
Wiring

The device uses standard thermostat connections: C, R, W1, W2, Y1, Y2, G. The use of each of these terminals vary by application. The most common applications are outlined below; for applications not found on this list, please contact Evolve Technical Support for more detail.

Wiring Cont'd

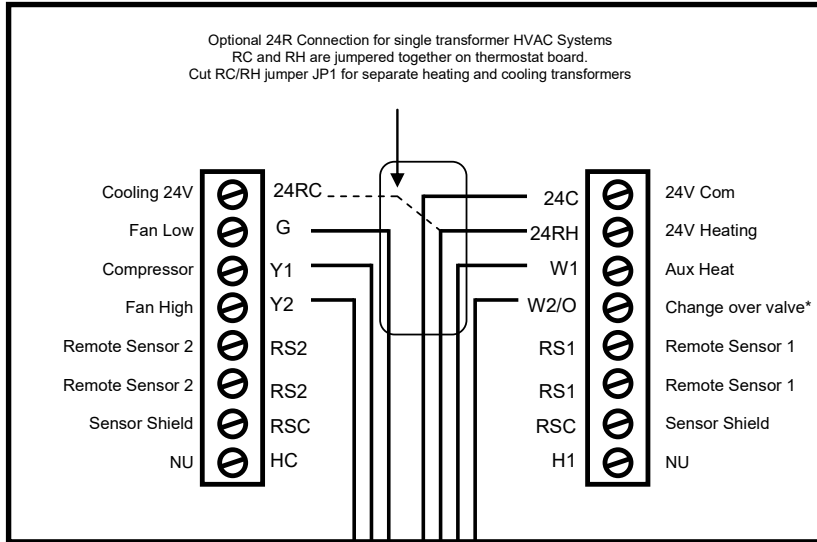
HVAC Type: Hotel 3 Speed	Voltage: 24VAC
HVAC System Wiring	Single Transformer Systems

* Heat Pump diagram on next page.

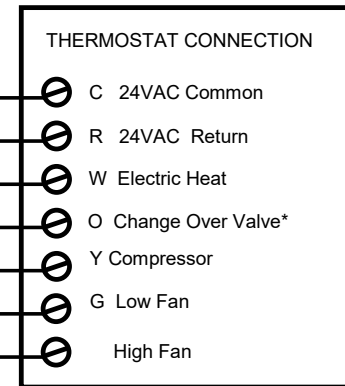


Wiring Cont'd

HVAC Type: Hotel Heat Pump	Voltage: 24VAC
HVAC System Wiring	Single Transformer Systems



Heat Pump HVAC System



* Reversing Valve

Wiring Cont'd

System Type Selection in the Installer Setup Menu

System Type	Fan Coil A	Fan Coil B		Heat Pump A	Heat Pump B
Fan Speeds	3 speed	2 speed		1 speed	2 speed
Heat Stages	1	1		3	2
Cool Stages	1	2		2	1
Terminal	Output	Output		Output	Output
C	24VAC C	24VAC C		24VAC C	24VAC C
RH	24VAC R	24VAC R		24VAC R	24VAC R
RC	nu	nu		nu	nu
W1	Heat valve	Heat valve		Aux Elect Ht	Aux Elect Ht
W2/O	Fan 2	Fan 2		Changeover	Changeover
G	Fan 1	Fan 1		Fan 1	Fan 1
Y1	Cool Valve 1	Cool Valve 1		Comp stg 1	Comp stg 1
Y2	Fan 3	Cool stg 2		Comp stg 2	Fan 2