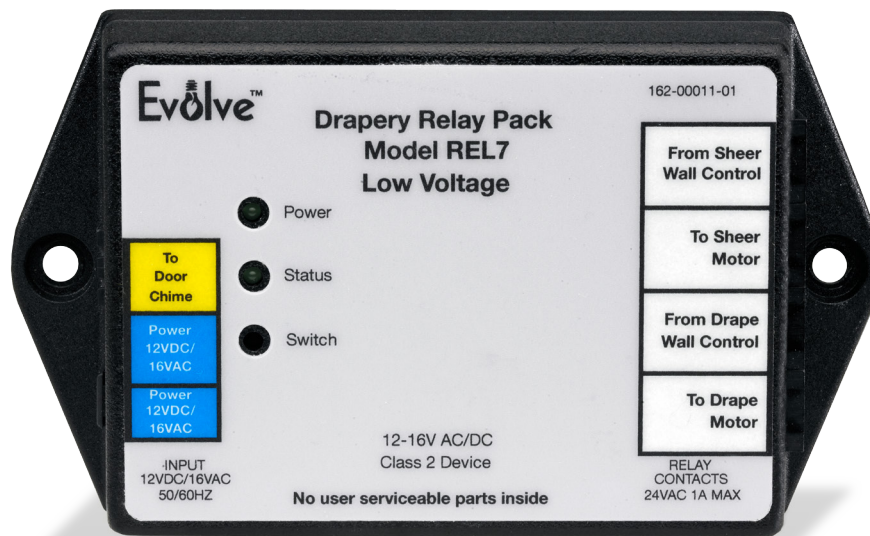




REL-7



Product

Drapery Control Unit

Description

The Evolve Drapery (RF) Control Unit is a programmable relay controller that provides remote control of Draperies, Sheers and Doorbells for hotel rooms/suites. This device is a component of the Evolve control system and consists of 7 relays for full drapery/sheer control (Open, Close, Stop). Moreover, Proportional Control conveniently allows for stopping drapes at any point while also providing power for a doorbell system.

This Wall Mounted Relay Control Unit is designed to work with other Evolve enabled devices. Evolve nodes of other types can be included in the network and will also act as repeaters to increase the range of the network.

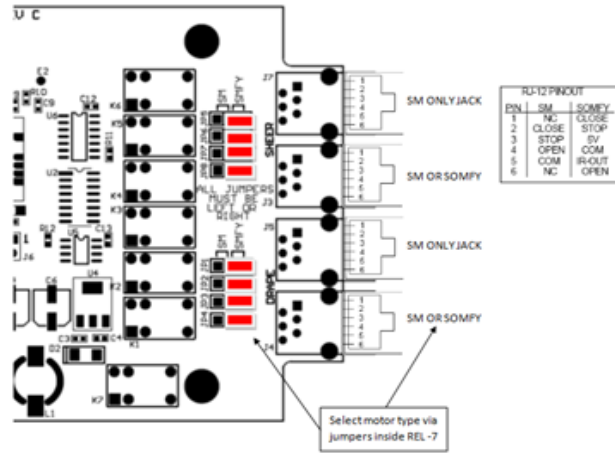
There are no field repairable assemblies on this unit. If service is needed, the unit must be returned where purchased.

Specifications

- SKU: REL-7
- Supported Networks:
 - Z-Wave – Signal (Frequency) 908.42 MHz
- Power: 12V – 16 VAC or DC with included power supply
 - Requires 16 VAC transformer when used in conjunction with doorbell
- Dimensions: 3.375" H x 5.625" W x 1.25" D
- Weight: 0.34 lbs.

Wiring

The REL-7 has four RJ-12 connections, which can be used for either 4-pin or 6-pin connections. The pinout is variable by changing the internal jumpers on the PCB board:



There is also a 16V output used for ringing a doorbell chime, when integrated with an Evolve doorbell system. As previously mentioned, this device is powered with a standard wall-wart transformer.