



LFM-20



Product

Isolated Contact Fixture Module

Description

The Evolve Isolated Contact Fixture Module is a component of the Evolve lighting control system and can handle loads of up to 277v. The device can be easily mounted in a single or multi-gang electrical box in any existing environment and is compatible with Z-Wave security systems. Inclusion of this Module on a Z-Wave network allows remote ON/OFF control of the load connected and it's fully scene capable.

This Isolated Contact Fixture Module is designed to work with other Evolve enabled devices. Evolve nodes of other types can be included in the network and will also act as repeaters to increase the range of the network.

As part of a Z-Wave network, the LFM-20 will also act as a wireless repeater to ensure that commands intended for another device in the network are received. This is useful when the device would otherwise be out of the radio range of the wireless controller.

There are no field repairable assemblies on this unit. If service is needed, the unit must be returned where purchased.

Specifications

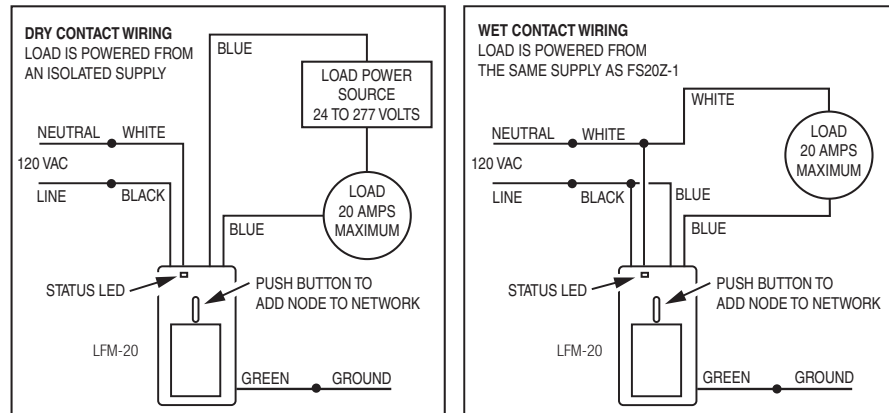
- SKU: LFM-20
- Supported Networks:
 - Z-Wave – Signal (Frequency) 908.42 MHz
- Range: Up to 100 feet line of sight between the Wireless Controller and/or the closest Evolve Receiver Module
- Power: 120 VAC, 60 Hz
- Dimensions: 3" H x 1.875" W x 1.5" D
- Weight: 0.28 lbs.

Wiring

The LFM-20 is wired as follows:

- Black – represents the line input, 120VAC
- White – represents the neutral. The LFM-20 and the load must share the same neutral.
- Blue 1 (either blue wire) – 24V – 277V input for load switching
- Blue 2 (either blue wire) – 24V – 277V output for load switching

The switch also has a green wire which serves as the ground. While there is a yellow wire present, it is not needed and should be cut and capped with either electrical tape or a wire nut.



In the case of a 3-way or 4-way circuit, traveler wires are not used when building an Evolve network. Instead, an LFM-20 may be used in conjunction with an LTM-5 to create a wireless, “virtual” 3-way. See LTM-5 for further details.

Maximum Load:

Isolated Contacts: 20 amps G.P. maximum, 277 VAC, 10FLA, 60LRA, 250VAC
 Motor: 1 H.P. maximum, 120/240 VAC

Incandescent: TV8 (Tungsten), 120 VAC, 960W maximum

Installation

Wire this module in series with a 20 amp (maximum) load according to one of the diagrams above. The LFM-20 has an isolated relay output on the two BLUE wires. BLACK is for the 120 VAC Line. WHITE is for the 120 VAC Neutral. With dry contact wiring, the load is powered by a separate source. With wet contact wiring, the load is powered from the same source as the LFM-20.

Fixture Mounted Configuration

Push the button on the face to configure the module to operate from the Wireless Controller. With the Wireless Controller, the LFM-20 can be switched ON and OFF remotely, and can be included in groups of lights that operate at the same time (a group can also be a single module), and scenes that set a lighting mood.

Other Functions

The button on the LFM-20 also plays a role as a reset in addition to including the module in groups and scenes.

Over-current Protection

The LFM-20 is protected by an internal fuse. The internal fuse is factory serviceable only. Check the circuit breakers before concluding that the product must be returned.